

CKB02 BMW M52 6CLY



Kit di 3 corpi farfallati doppi TBS45 installabile su BMW M52 6 cilindri ITB composta da corpi con farfalle diametro 45 mm, collettore di aspirazione, flauto benzina e trombette lunghe 60 mm disegnato per installazione su vetture BMW 325i o simili si adatta perfettamente a tutti i tipi di competizioni e/o utilizzi.

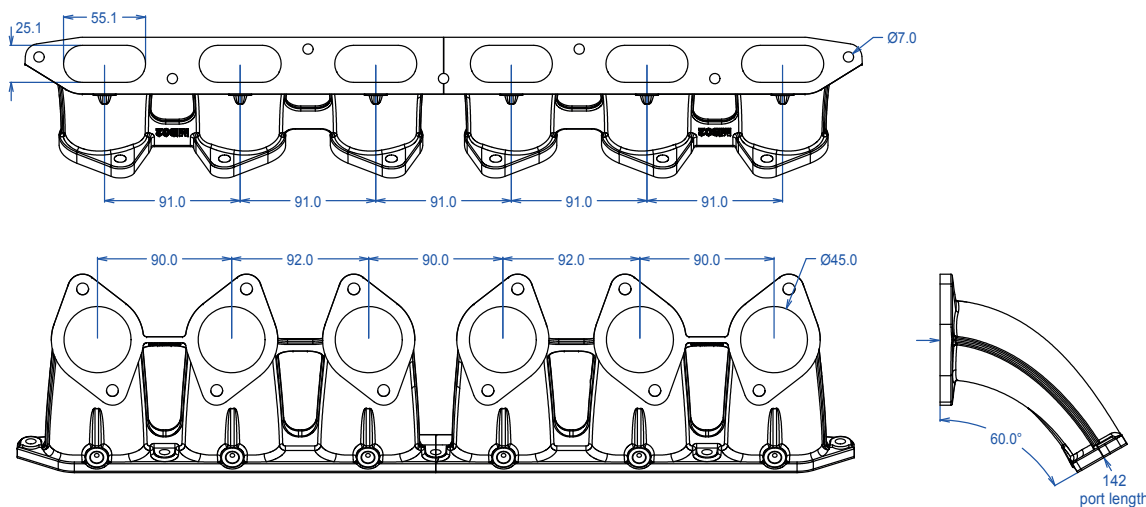


BMW M52 6 cylinder ITB throttle body kit from Jenvey Dynamics includes 3 TBS45 throttle bodies, a pair of Jenvey Dynamics EFI inlet manifolds, fuel rail and 60mm long airhorns. Jenvey throttle bodies and all Jenvey throttle body accessories are engineered for Motorsport, offering excellent performance, reliability, lightness and value. This kit is ideal for road, track or rally use. This kit is designed to fit in a BMW 325i and similar.

JENVEY

MB02 BMW 6-cyl manifold for twin throttle bodies

© Jenvey Dynamics Ltd 2009-2013
Issue 1
www.jenvey.co.uk



Flanges for Jenvey twin (TB, TH, TS) throttle bodies. May be ported up to 50mm.
Additional material to allow matching to ported cylinder heads.
Undrilled bosses on underside for idle air / vacuum take off / etc.

