

CKCT01 CHEVI LS126



Kit di aspirazione a 8 farfalle per Chevrolet LS1, LS2, LS6 che include 8 corpi farfallati SFD52/0/0 completi di leveraggi e di carrucole per motore V8, 2 flauti benzina e 8 trombette lunghe 60 mm.

Questo motore e' molto popolare in America dove e' montato sulla Corvette, il kit viene quindi utilizzato sia per le competizioni che nei vari kit di preparazione del mercato Americano.

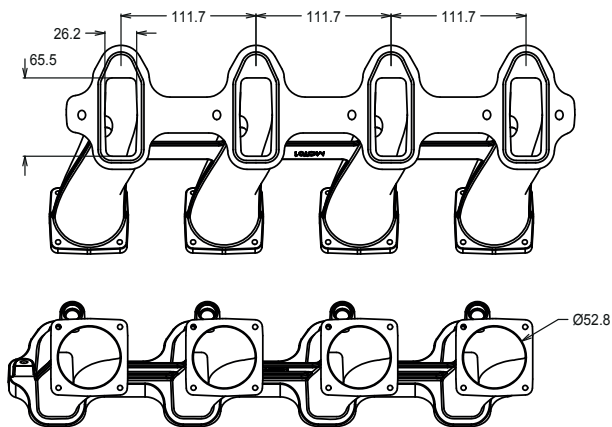


Chevrolet LS1, LS2 and LS6 ITB throttle body kit from Jenvey Dynamics includes eight SFD52/0/0 throttle bodies with an operating wheel linkage, two EFI inlet manifolds, two fuel rails and eight 60mm long airhorns. Jenvey throttle bodies and all Jenvey throttle body accessories are engineered for Motorsport, offering excellent performance, reliability, lightness and value. This kit is ideal for road, track or rally use. This engine is used widely in American vehicles such as the Corvette and even trucks. It is now also widely used in Motorsport in Kit cars and race cars. Made to order - up to 2 weeks to dispatch.

JENVEY

MCT01 - Chevrolet LS 1,2 & 6 manifolds for individual throttle bodies

© Jenvey Dynamics Ltd 2000-2012
Issue 2
www.jenvey.co.uk



Flanges for Jenvey SFD throttle bodies. Sufficient metal to allow for port machining, including 'Cathedral' shape.
'O' ring seal to cylinder head.
Supplied as a cross-over pair, making for high flow rates and good mixture distribution.
Includes injector pockets and extra undrilled bosses on top-side for idle air / vacuum take off / etc.

Dimensions in mm



AirBox compatti in fibra di carbonio che sono stati progettati per adattarsi al motore Chevrolet LS / A pair of very light compact carbon fibre airboxes which were designed to fit the Chevrolet LS engine.