

# CKCT02 CHEVROLET LS7



Il Kit di aspirazione a 8 farfalle per Chevrolet LS7 ITB comprende 8 corpi farfallati SFD 60/45/0 completi di leveraggi CLV3 e di carrucole per motore V8, 2 flauti benzina e 8 trombette lunghe 20 mm. Questo motore è molto popolare in America dove è montato sulla Corvette Z06, il kit viene quindi utilizzato sia per le competizioni che nei vari kit di preparazione del mercato Americano come Mosler e Aquilia. Tempo di consegna 2 settimane dall'ordine

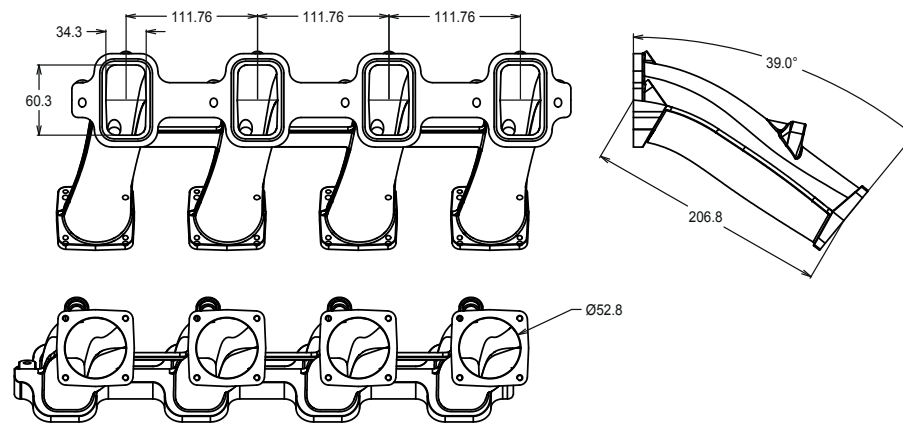


Chevrolet LS7 ITB throttle body kit from Jenvey Dynamics includes eight SFD60/45/0 throttle bodies with CLV3 solid cross linkage kit, two EFI inlet manifolds, two fuel rails and eight 20mm long billet airhorns. Jenvey throttle bodies and all Jenvey throttle body accessories are engineered for Motorsport, offering excellent performance, reliability, lightness and value. This kit is ideal for road, track or rally use. This engine is used widely in American vehicles such as the Corvette Z06. It is now also widely used in Motorsport in Kit cars and race cars such as the Mosler and Aquilia. Made to order - up to 2 weeks to dispatch.

**JENVEY**

MCT02 - Chevrolet LS 7 manifolds for individual throttle bodies

© Jenvey Dynamics Ltd 2000-2012  
Issue 2  
www.jenvey.co.uk



Flanges for Jenvey SFD throttle bodies. Sufficient metal to allow for port machining.  
'O' ring seal to cylinder head.  
Supplied as a cross-over pair, making for high flow rates and good mixture distribution.  
Includes injector pockets and extra undrilled bosses on top-side for idle air / vacuum take off / etc.

Dimensions in mm



AirBox compatti in fibra di carbonio che sono stati progettati per adattarsi al motore Chevrolet LS / A pair of very light compact carbon fibre airboxes which were designed to fit the Chevrolet LS engine.