

CKFD07 FORD 2L DURATEC



Kit completo di 2 corpi farfallati doppi TB45 collettore di aspirazione, flauto benzina e 4 trombette lunghe 90 mm adattabile su molti tipi di vetture, come Ford Fiesta, mondeo e Focus.

Progettato e realizzato per competizioni, offre vantaggi in termini di potenza in qualsiasi applicazione.

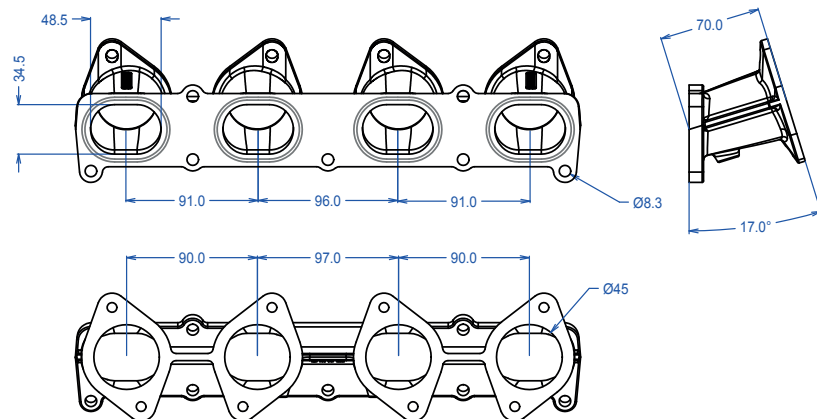


Ford Duratec ITB throttle body kit from Jenvey Dynamics includes two TB45 throttle bodies (ITB's), a Jenvey Dynamics EFI inlet manifold, fuel rail and four 90mm long airhorns. Jenvey throttle bodies and all Jenvey throttle body accessories are engineered for Motorsport, offering excellent performance, reliability, lightness and value. This kit is ideal for road, track or rally use. Fits many kit cars, Ford Fiesta, Mondeo and Focus.

JENVEY

MF07 - Ford Duratec manifold for twin throttle bodies

© Jenvey Dynamics Ltd 2000-2010
Issue 2
www.jenvey.co.uk



O ring seal to cylinder head
Some additional material for porting out
Undrilled bosses on underside for idle air / vacuum take off / etc



Filtro aria profondo 65 mm / Foam element air filter - standard fitment - 65 mm deep