

CKPE04 PORSCHE WATERCOOLED



Puesto Kit Jenvey composto da 6 farfalle SF48/4.5/1 e tutti gli accessori per il montaggio, è stato progettato per tutti gli impieghi nel motorsport, utilizzabile sulla Porsche 911 e Boxter con motori raffreddati a liquido. Creato per la Porsche 911 e Boxter, il kit grazie alle sue caratteristiche di affidabilità e leggerezza, mantiene il suo valore nel tempo. Disponibile in due settimane dall'ordine.

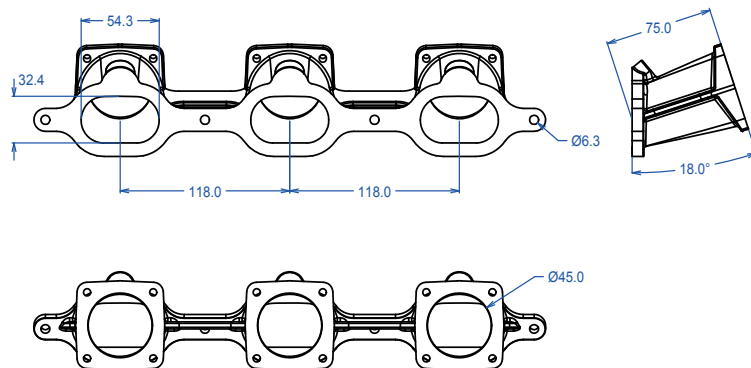


Porsche watercooled ITB throttle body kit from Jenvey Dynamics includes six SF48/4.5/1 taper throttle bodies with a special linkage, two EFI inlet manifolds, two fuel rails and six 90mm long taper airhorns. Jenvey throttle bodies and all Jenvey throttle body accessories are engineered for Motorsport, offering excellent performance, reliability, lightness and value. This kit is ideal for road, track or rally use. This kit is for early watercooled 911 and boxster engines. Made to order - up to 2 weeks to dispatch.

JENVEY

MPC03 - Porsche Flat 6 water-cooled manifolds for individual throttle bodies

© Jenvey Dynamics Ltd 2000-2010
Issue 2
www.jenvey.co.uk



May be ported out to 50mm at body flange and proportionally at head flange.
Supplied as matched pair.
Bosses on each port for injector pockets or vacuum tappings.



Filtro aria profondo 100 mm / Foam element air filter - standard fitment - 100 mm deep